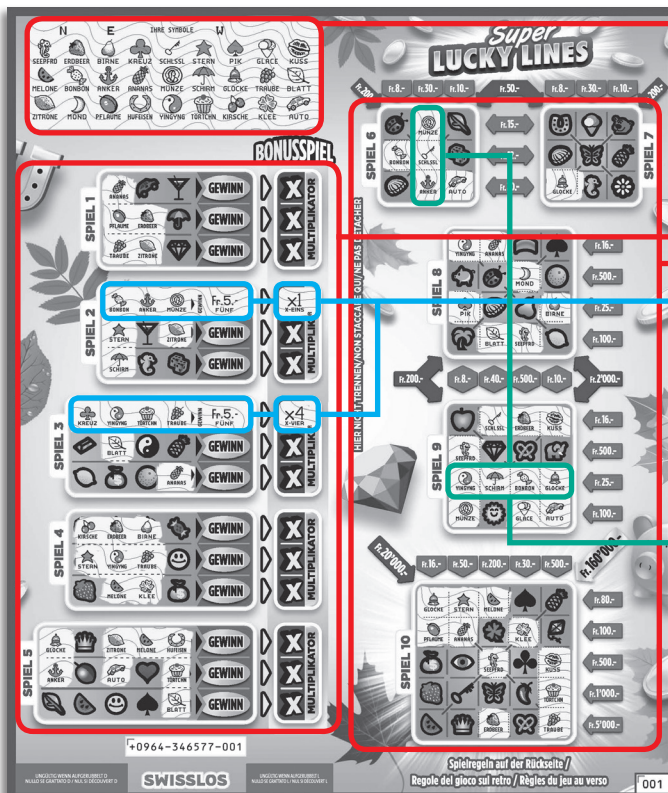


Game Rules Super Lucky Lines



Example: Win Fr. 80.-

(Fr. 5.- x 1 + Fr. 5.- x 4 + Fr. 30.- + Fr. 25.- = Fr. 80.-)



Super Lucky Lines • Number of tickets: 400'000
 Price: Fr. 16.- • Payout percentage: 59.02% • Prize percentage: 29.61% • Total sales value: Fr. 6'400'000.-

* 73'500	x	16.-	=	1'176'000.-
5'000	x	20.-	=	100'000.-
1'000	x	25.-	=	25'000.-
3'000	x	28.-	=	84'000.-
6'500	x	30.-	=	195'000.-
4'000	x	32.-	=	128'000.-
2'500	x	33.-	=	82'500.-
1'500	x	38.-	=	57'000.-
5'500	x	40.-	=	220'000.-
1'200	x	48.-	=	57'600.-
3'500	x	50.-	=	175'000.-
2'000	x	60.-	=	120'000.-
1'500	x	80.-	=	120'000.-
4'700	x	100.-	=	470'000.-
1'700	x	160.-	=	272'000.-
1'250	x	200.-	=	250'000.-
50	x	500.-	=	25'000.-
15	x	1'000.-	=	15'000.-
5	x	2'000.-	=	10'000.-
3	x	5'000.-	=	15'000.-
1	x	20'000.-	=	20'000.-
1	x	160'000.-	=	160'000.-

118'425 x = 3'777'100.-

* Combinations are also allowed in these prize categories:
 e.g. (4 x 2.-) + (4 x 3.-) + (5 x 2.-) = 30.-

Rules of Play

1. Scratch off the 27 fields in the «YOUR SYMBOLS» («IHRE SYMBOLE») area.
2. Then uncover each of the matching symbols in «GAME 1» («SPIEL 1») to «GAME 10» («SPIEL 10»).
3. For «GAME 1» to «GAME 5»:
 - If you scratch off all the symbols in one horizontal line, uncover the «PRIZE» («GEWINN») field on the same line. You win the hidden amount.
 - If you win, you can also scratch off the «X» field on the same line. Your prize is then multiplied by this number (e.g. CHF 20 x 2 = CHF 40).
4. For «GAME 6» to «GAME 10»:
 - If you scratch off a complete horizontal, vertical or diagonal line, you win the corresponding amount.

Note: A player can win up to 5 times on a ticket